



Rubinetto Collo portagomma. Finitura giallo sabbato.

Attacco filettato G1/2" - G3/4" - G1" .

Uscita rubinetto attacco G3/4" - G1" - G1"1/4 con portagomma.

Pressione massima di funzionamento: 6 bar

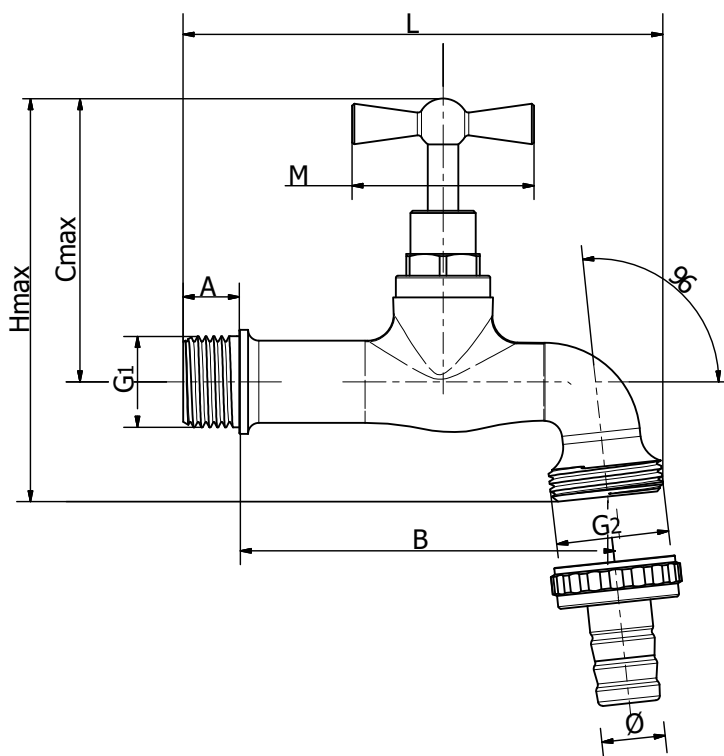
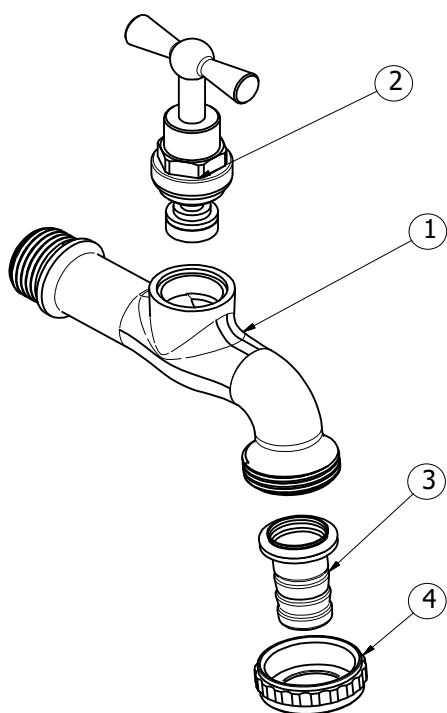
Faucet Collo with fitting hose connection.

Sandblasted brass finishing.

Connection: G1/2" - G3/4" - G1".

Outlet connection G3/4" - G1" - G1"1/4 with fitting hose connection.

Max working pressure: 6 bar.



Art.	G1	G2	A	Ø	L	Hmax	Cmax	B	M
RU021DSA	1/2"	3/4"	13	15	111	95	67	85	42
RU021ESA	3/4"	1"	15	20	136	114	70	103	49
RU021FSA	1"	1"1/4"	16	26	155	130	85	120	49

COMPONENTI / COMPONENTS

1	Corpo rubinetto / Body	Ottone / Brass: CB753S
2	Vitone / Valve	Componenti in ottone / Brass components: CW617N – Guarnizioni di tenuta / Seals: EPDM
3	Codolo / Fitting hose connection	Ottone / Brass: CW614N
4	Girello / Nut	Ottone / Brass: CW614N

Scheda tecnica Art.

RU021(D-E-F)SA

REV.00 24/01/2023