

VALVOLA DI RITEGNO A MOLLA

Check valve with spring

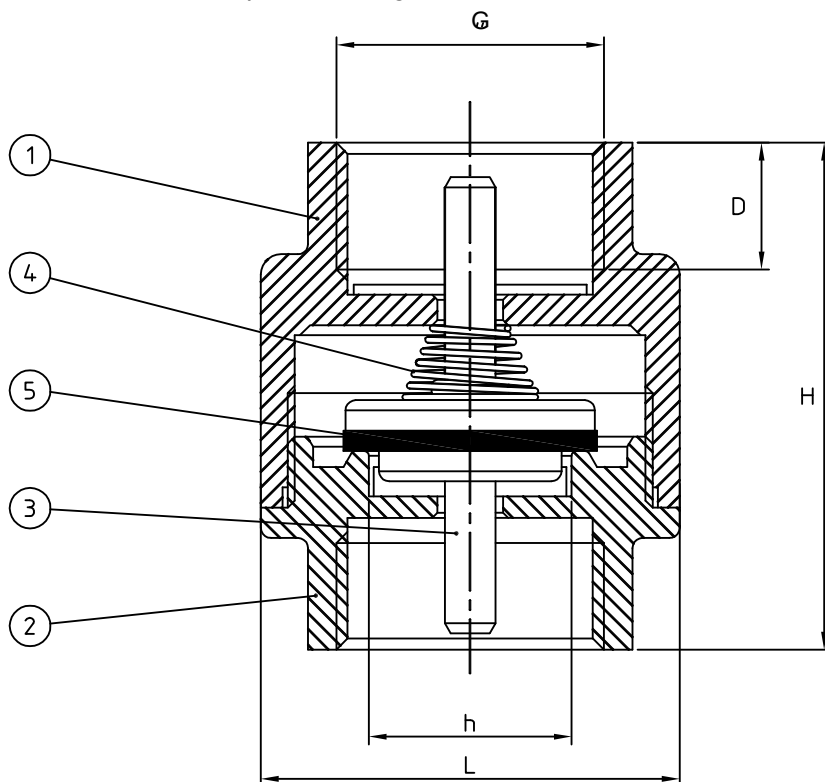
ART.VR010DSA

Informazioni tecniche / Technical information



Valvola di ritegno a molla, in ottone.
Pressione massima di funzionamento:
- 1/2" – 1" → 12 bar
- 1"1/4 – 2" → 10 bar
- 2" – 4" → 8 bar
Range di temperatura: 0-100°C

Brass check valve with spring..
Max working pressure:
- 1/2" – 1" → 12 bar
- 1"1/4 – 2" → 10 bar
- 2" – 4" → 8 bar
Temperature range: 0-100°C



Dimensioni / Dimensions.

	VR010DSA	VR010ESA	VR010FSA	VR010GSA	VR010HSA	VR010ISA	VR010LSA	VR010MSA	VR010NSA
G	1/2"	3/4"	1"	1"1/4	1"1/2	2"	2"1/2	3"	4"
D	11	11	14	17	15	17	17	21	21
L	31	39	47	56	66	83	107	109	140
H	45	50	58	64	69	77	87	102	112
h	15	20	25	32	40	50	65	80	100

COMPONENTI / COMPONENTS

1	Corpo valvola / Valve Body	Ottone / Brass: CW617N
2	Manicotto / Body end	Ottone / Brass: CW617N
3	Otturatore / Shutter	Nylon / Nylon
4	Molla / Spring	Acciaio inox / Stainlesssteel: AISI 302
5	Guarnizione / Gasket	NBR / NBR

Scheda tecnica Art.

VR005DSA

REV.00 28/02/2023

