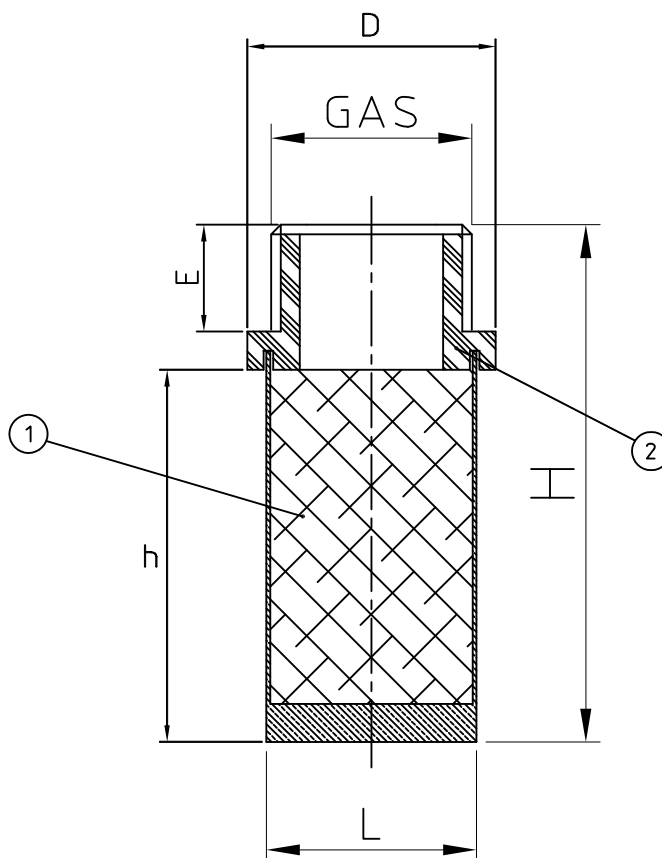


Filtro in acciaio inox con attacco filettato in nylon.
Temperatura massima di funzionamento: 0-110°C

*Stainless steel filter with threaded connection in nylon.
Max workin temperature 110°C*



Dimensioni / Dimensions.

	VR020DFI	VR020EFI	VR020FFI	VR020GFI	VR020HFI	VR020IFI	VR020LFI	VR020MFI	VR020NFI
G	1/2"	3/4"	1"	1"1/4	1"1/2	2"	2"1/2	3"	4"
E	8	9	10	11	11	12	13	13	14
D	28	33	41	50	55	67	86	100	128
L	22	29	36	44	49	61	80	93	116
H	50	56	58	69	79	96	98	112	131
h	38	42	43	53	62	79	76	90	104

COMPONENTI / COMPONENTS

1	Filtro / <i>Filter</i>	Acciaio inox / <i>Stainless steel: AISI 304</i>
2	Raccordo / <i>Fitting</i>	Nylon / <i>Nylon</i>

Scheda tecnica Art.

VR005DSA

REV.00 28/02/2023